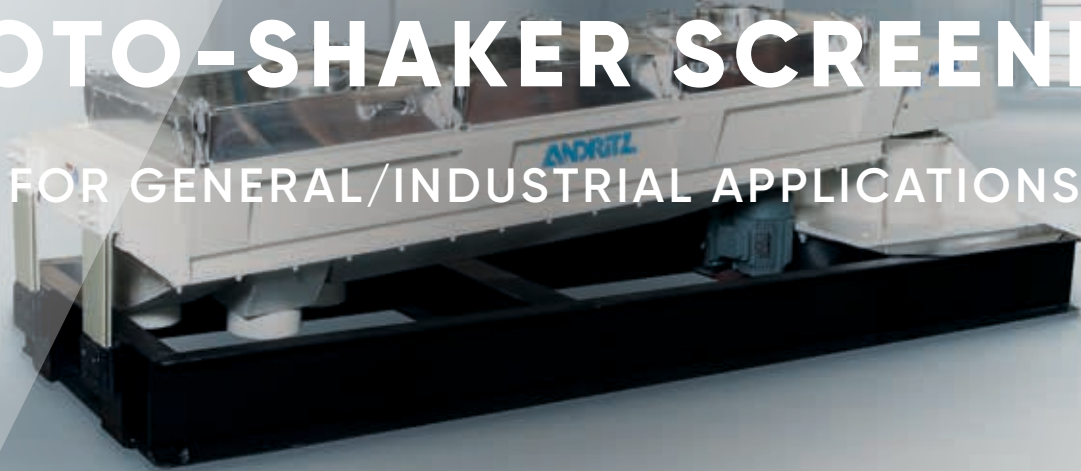




FEED AND BIOFUEL

ROTO-SHAKER SCREENER

FOR GENERAL/INDUSTRIAL APPLICATIONS



ANDRITZ Roto-Shaker™ Screener uses a proven gyratory-reciprocating screening action that delivers both high capacity and accurate separations. The gyratory screening action at the inlet quickly stratifies and distributes material over the entire screen surface.

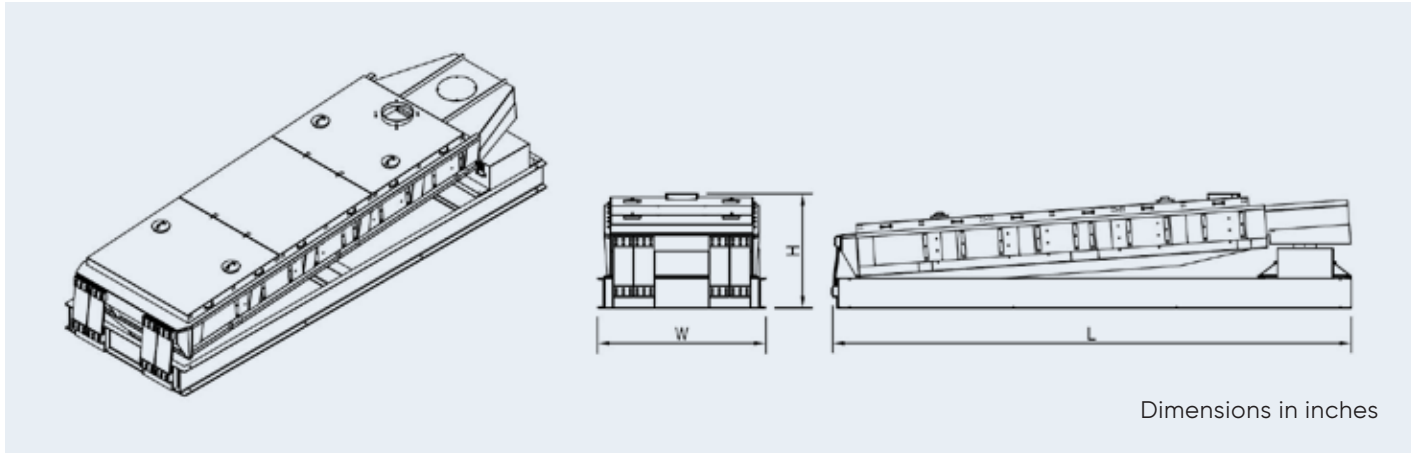
ANDRITZ Roto-Shaker™ Screeners are available in various model sizes with one to three screening surfaces. The Roto-Shaker can be floor mounted, on a stand or suspended by cables. The unit requires very little headroom, making installation easy in limited spaces.

The computer balanced dynamic drive provided efficient and low maintenance operation while minimizing structural vibrations.

Every Roto-Shaker is backed by our promise for quick dependable service and quality replacement parts.

ANDRITZ

ENGINEERED SUCCESS



THE GENERAL ROTO-SHAKER IS EQUIPPED WITH:

- Wooden frames for economical operation
- Easy handling and quick changes with the sectionalized screen frames

THE INDUSTRIAL ROTO-SHAKER IS EQUIPPED WITH:

- Heavy duty segmented screen frames
- Carbon steel or stainless steel construction
- Increased screen life with spring tensioned hook-up strip screen attachment
- Easy adjustment, great efficiency.

TECHNICAL DATA

Model Size	HP.	No. of Screens	Inlet Dia. (in)	Length (in)	Width (in)	Height (in)	Disch. Equal to Circumf. Circle	Approx. Weight (lbs)
2½ x 6	1	1	8	119 3/4	44	38 1/2	8	2.000
	1	2	8	128	44	38 1/2	8	2.600
	1	3	8	152 1/4	44	42 1/4	8	3.000
3½ x 7	1 1/2	2	8	151 1/2	60	40 1/4	8	3.600
	1 1/2	3	8	163 1/2	60	43	8	4.100
4½ x 8	3	2	12	165 1/4	65	46	12	4.900
	3	3	12	172 5/8	65	48 7/8	12	5.100

ANDRITZ Feed and Biofuel A/S
 andritz-fb.dk@andritz.com
 p: +45 72 160 300 / andritz.com/ft

ANDRITZ Feed and Biofuel USA
 andritz-fb.us@andritz.com
 p: +1 570 546 1253



All data, information, statements, photographs and graphic illustrations in this leaflet are without any obligation and raise no liabilities to or form part of any sales contracts of ANDRITZ AG or any affiliates for equipment and/or systems referred to herein. © ANDRITZ AG 2018. All rights reserved. No part of this copyrighted work may be reproduced, modified or distributed in any form or by any means, or stored in any database or retrieval system, without the prior written permission of ANDRITZ AG or its affiliates. Any such unauthorized use for any purpose is a violation of the relevant copyright laws. ANDRITZ AG, Statterger Strasse 18, 8045 Graz, Austria.



I 0518